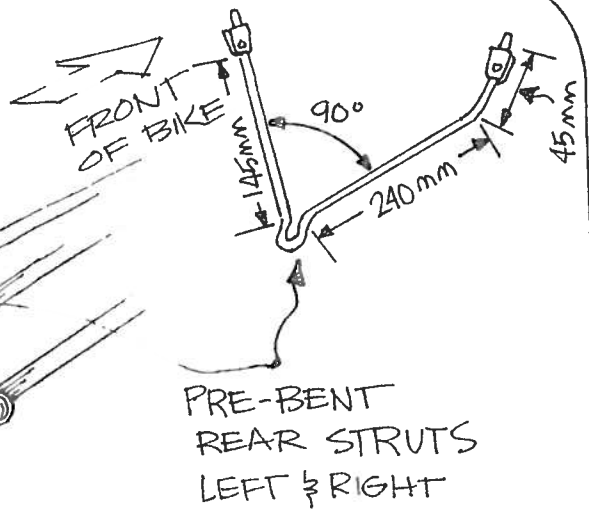
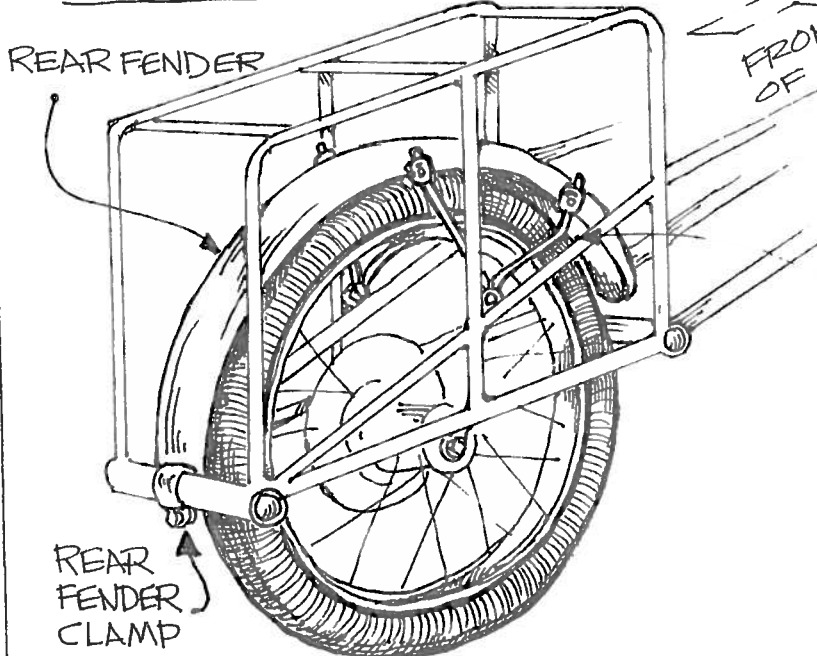


# INSTALLING FENDERS ON YOUR HAUL-A-DAY CARGO BIKE

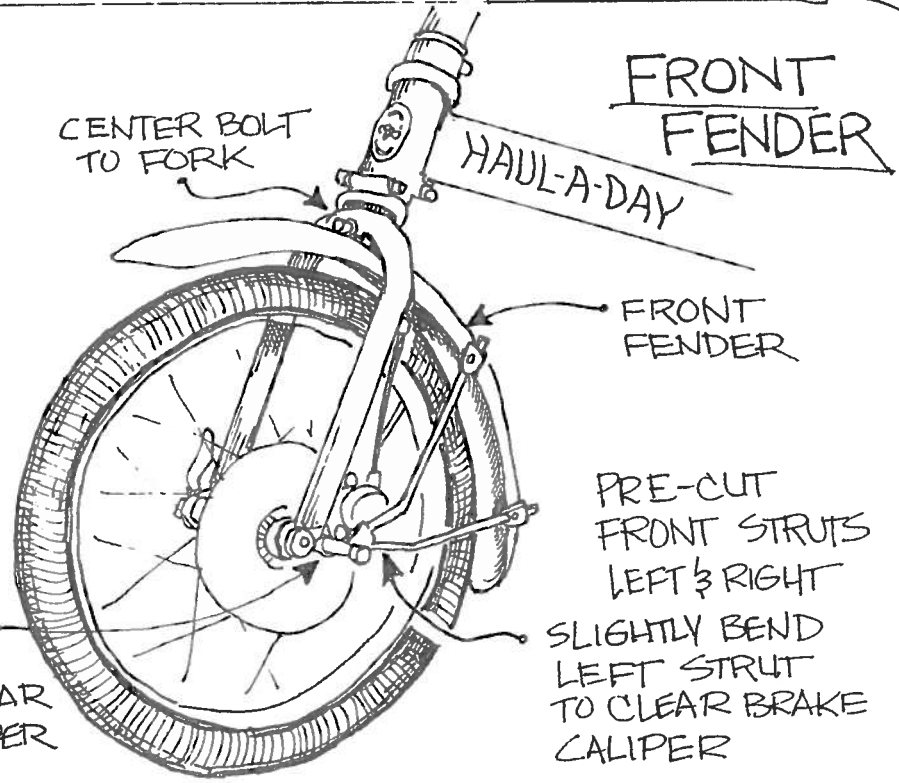
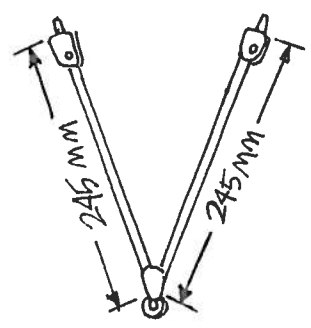
## BIKE FRIDAY

### REAR FENDER



\* NOTE : USE EXISTING HOLE IN FENDER

### FRONT FENDER



SPACER ON LEFT SIDE ONLY - TO CLEAR BRAKE CALIPER